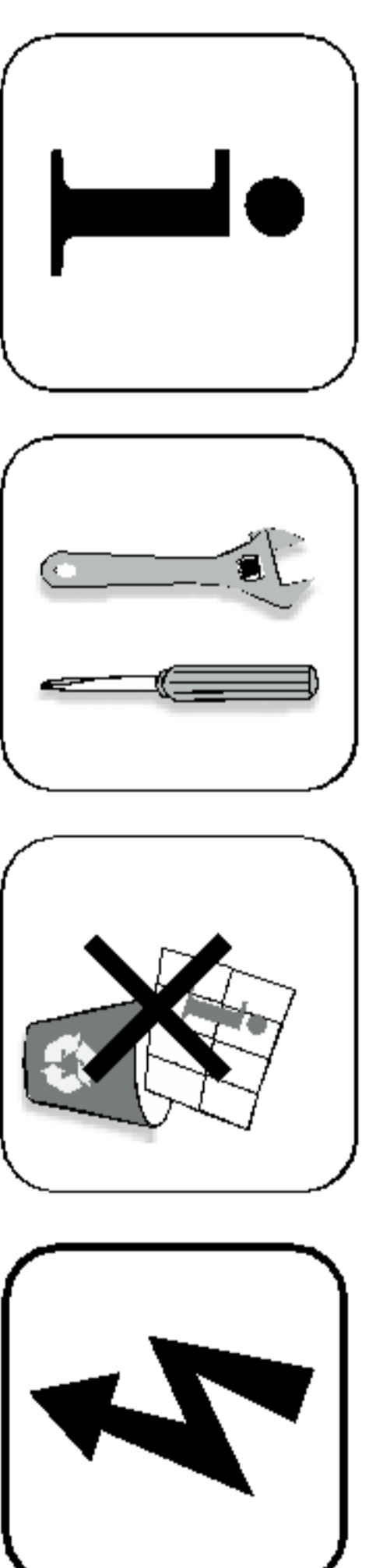


ESBE[®]

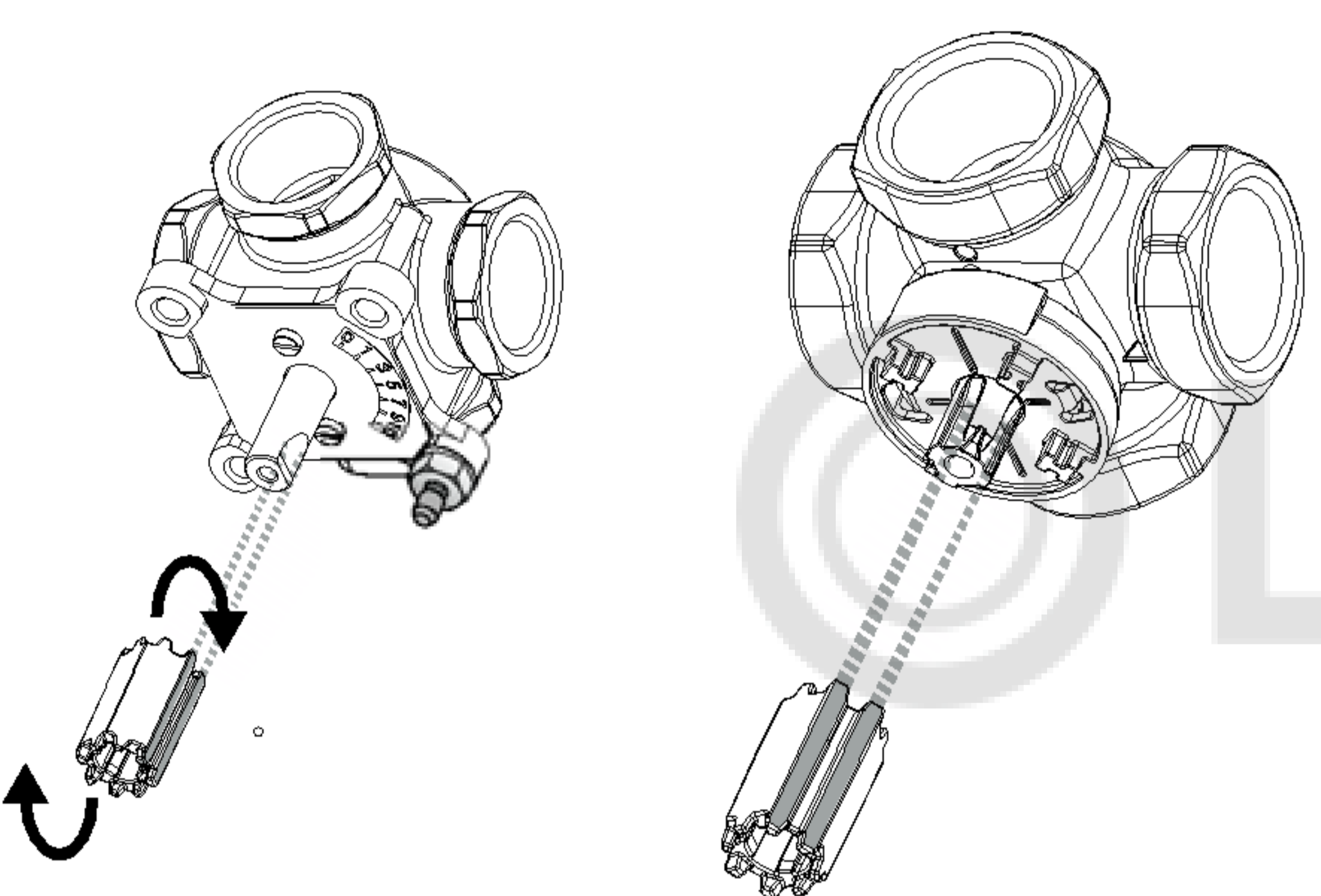
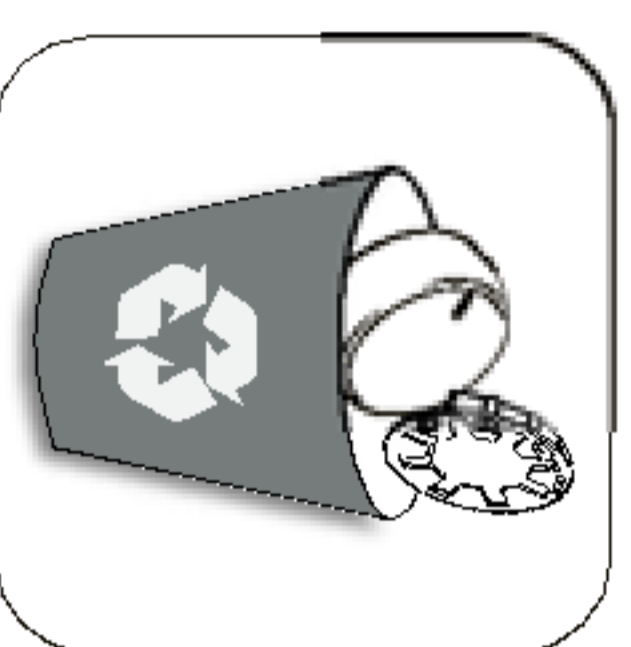
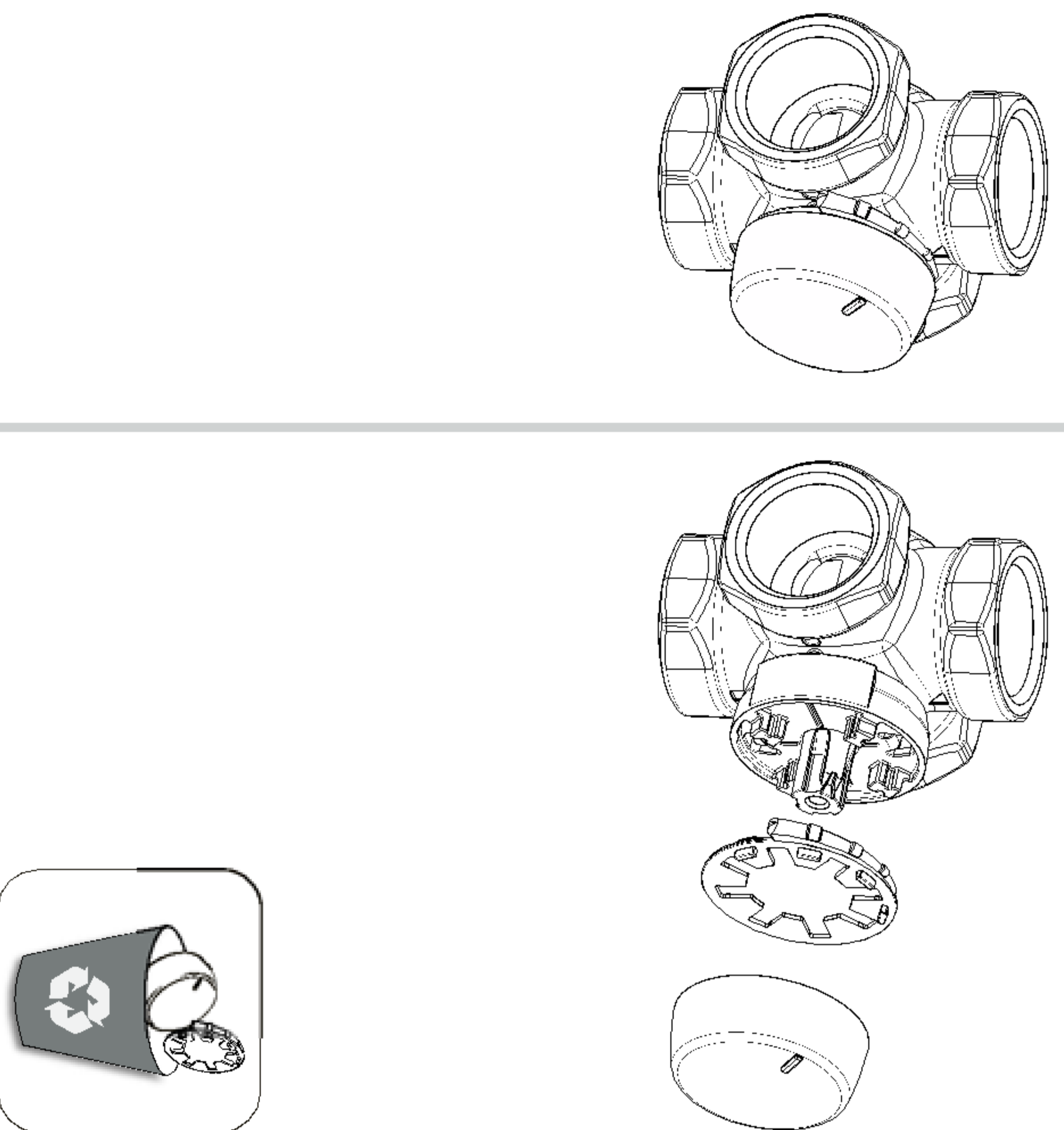
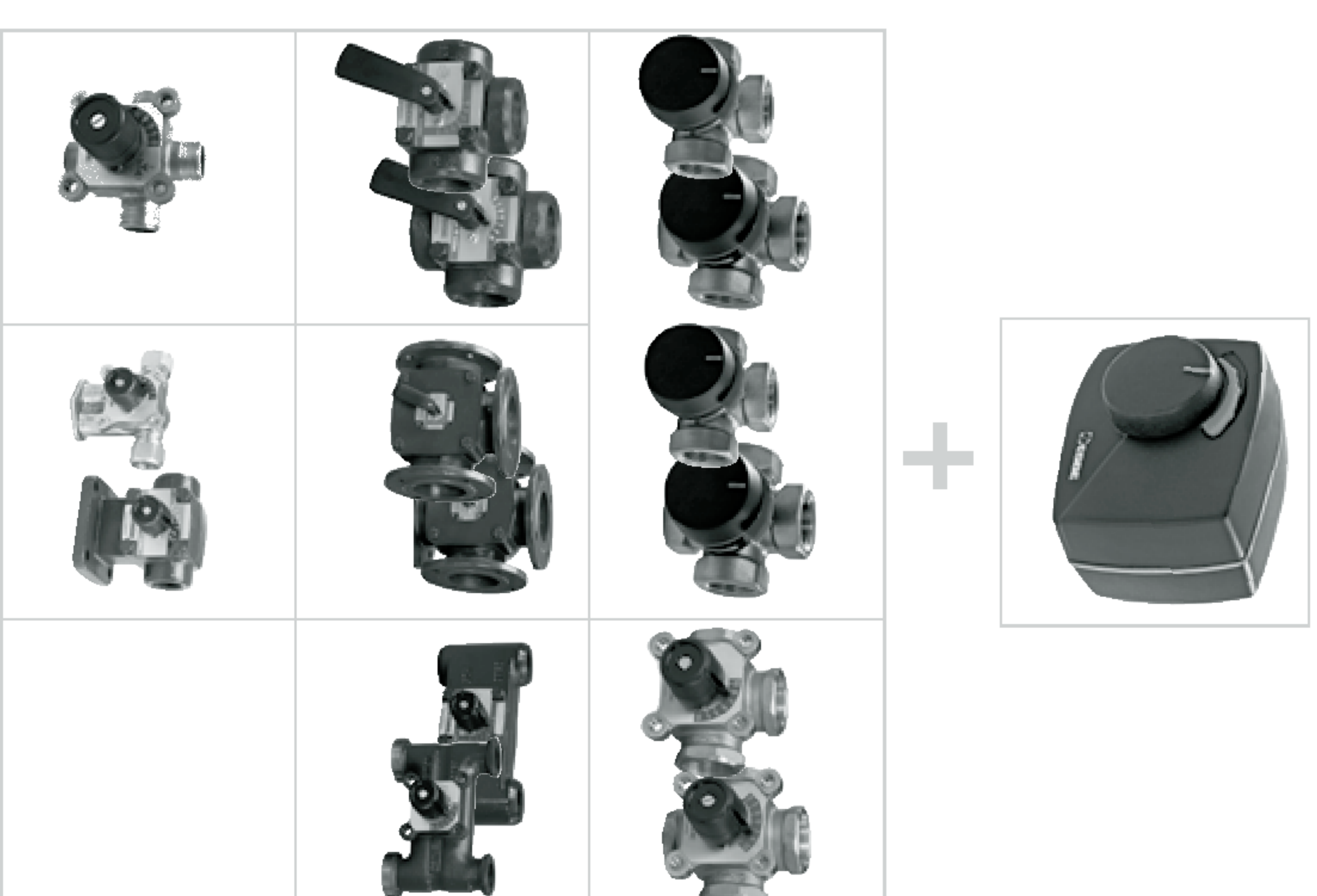
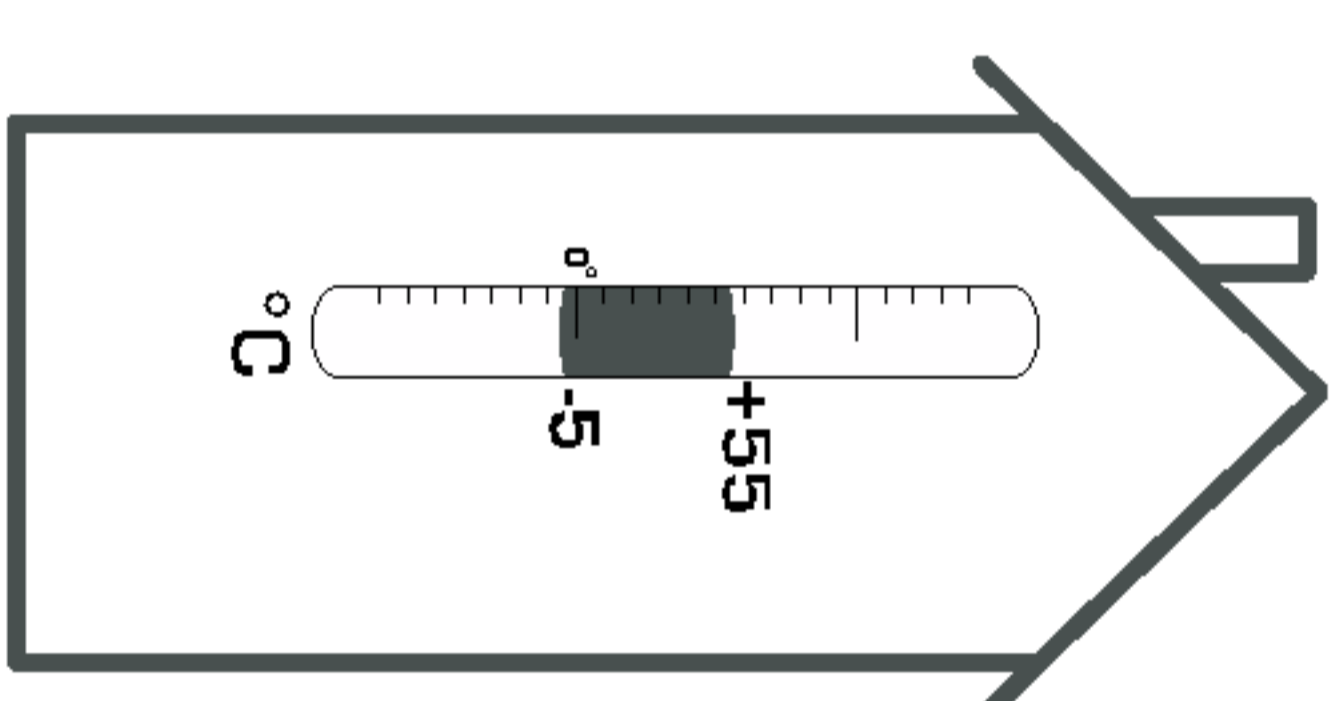
www.esbe.se



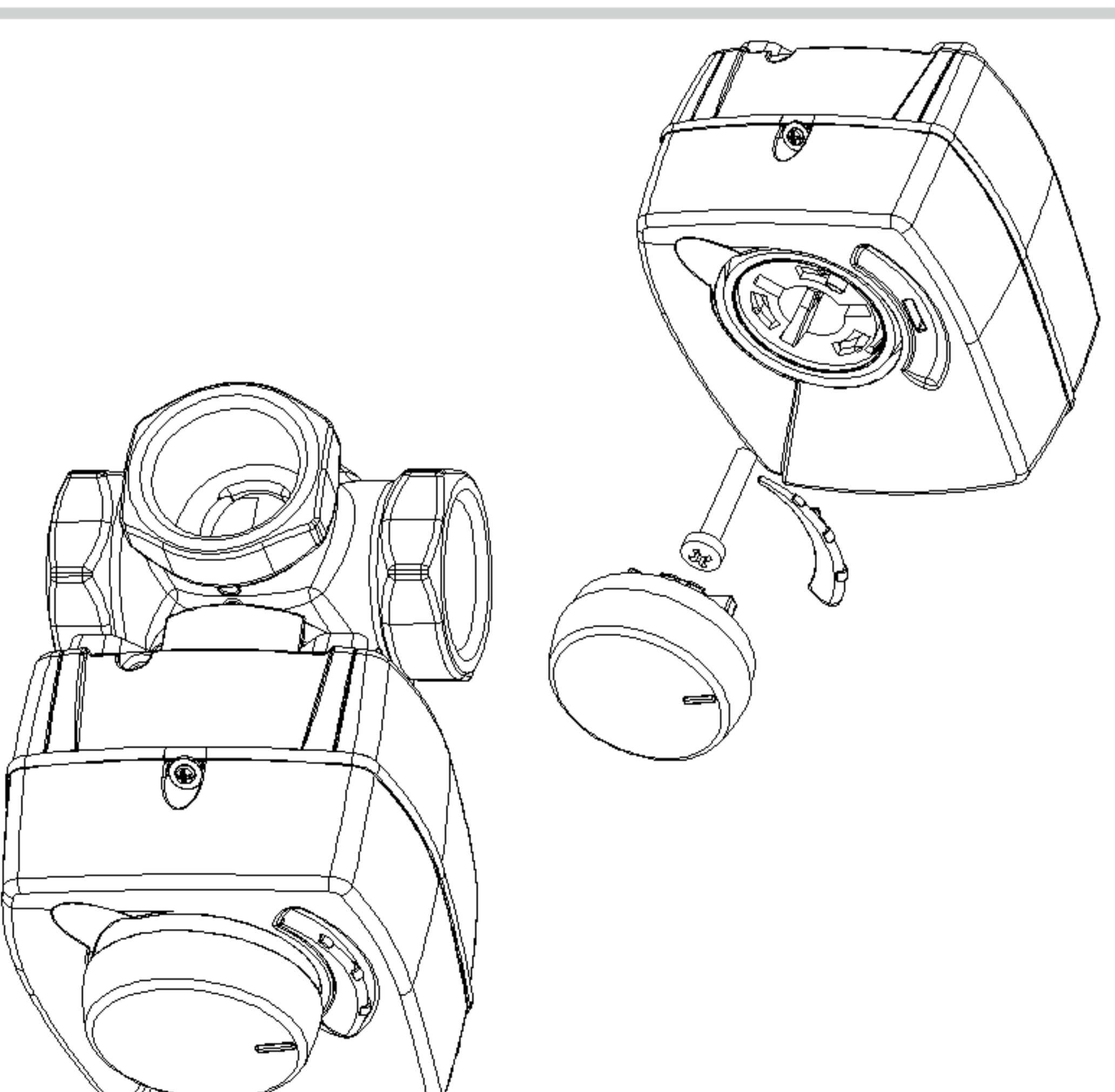
ESBE[®]
NO.1 IN HYDRONIC SYSTEM CONTROL

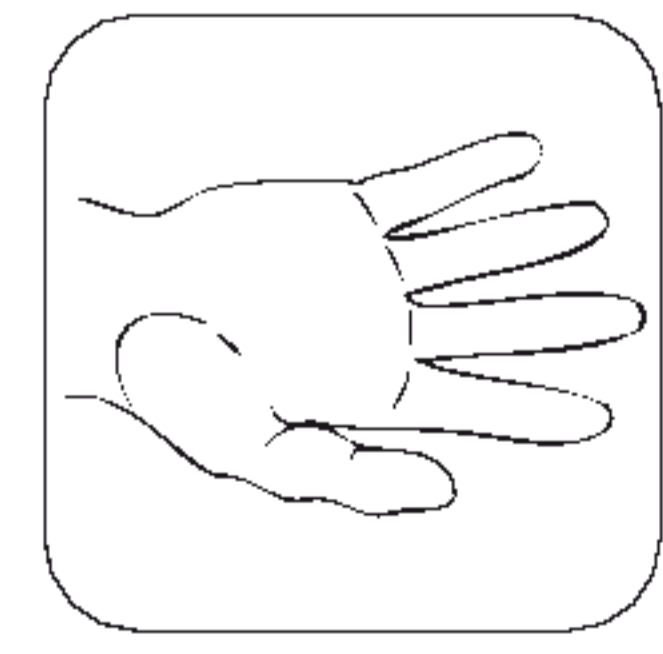
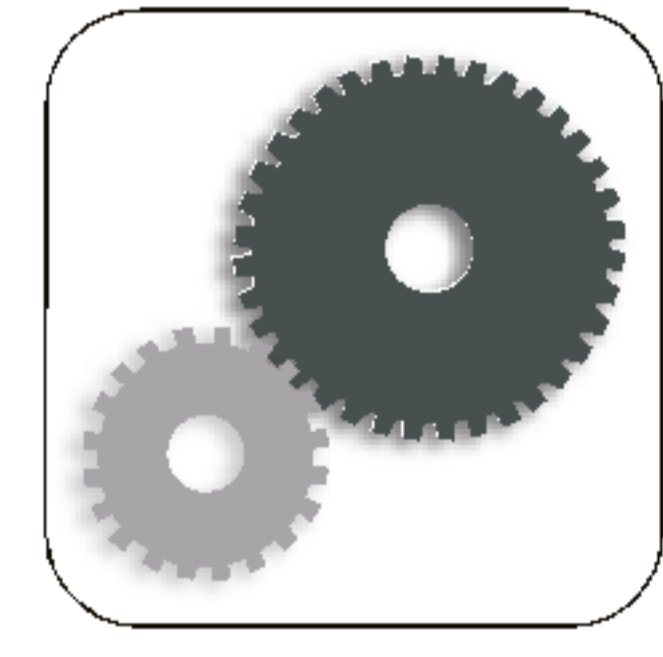
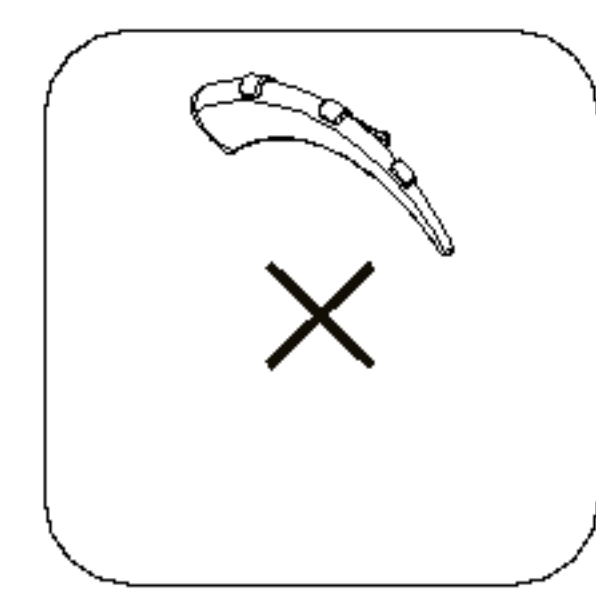
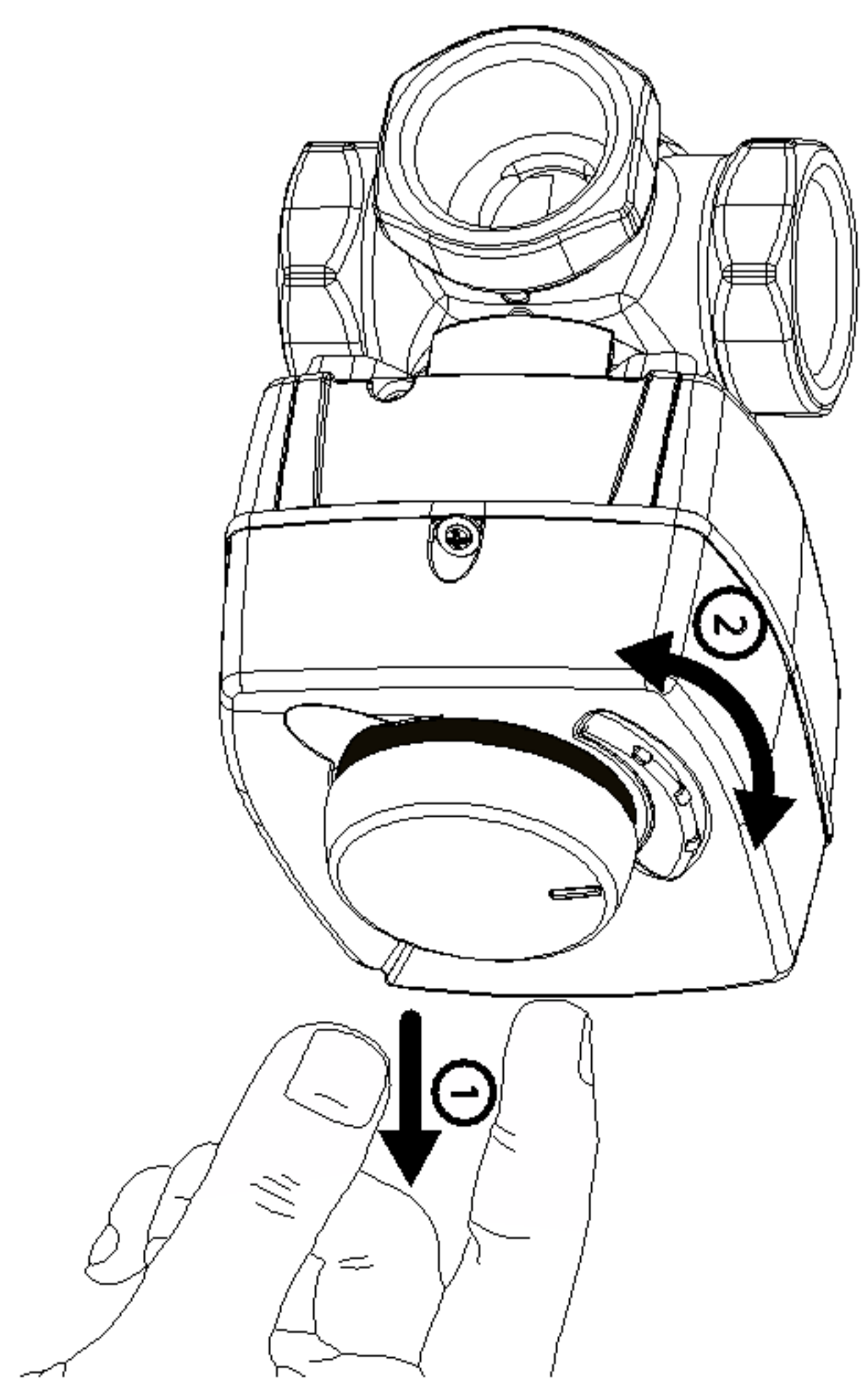
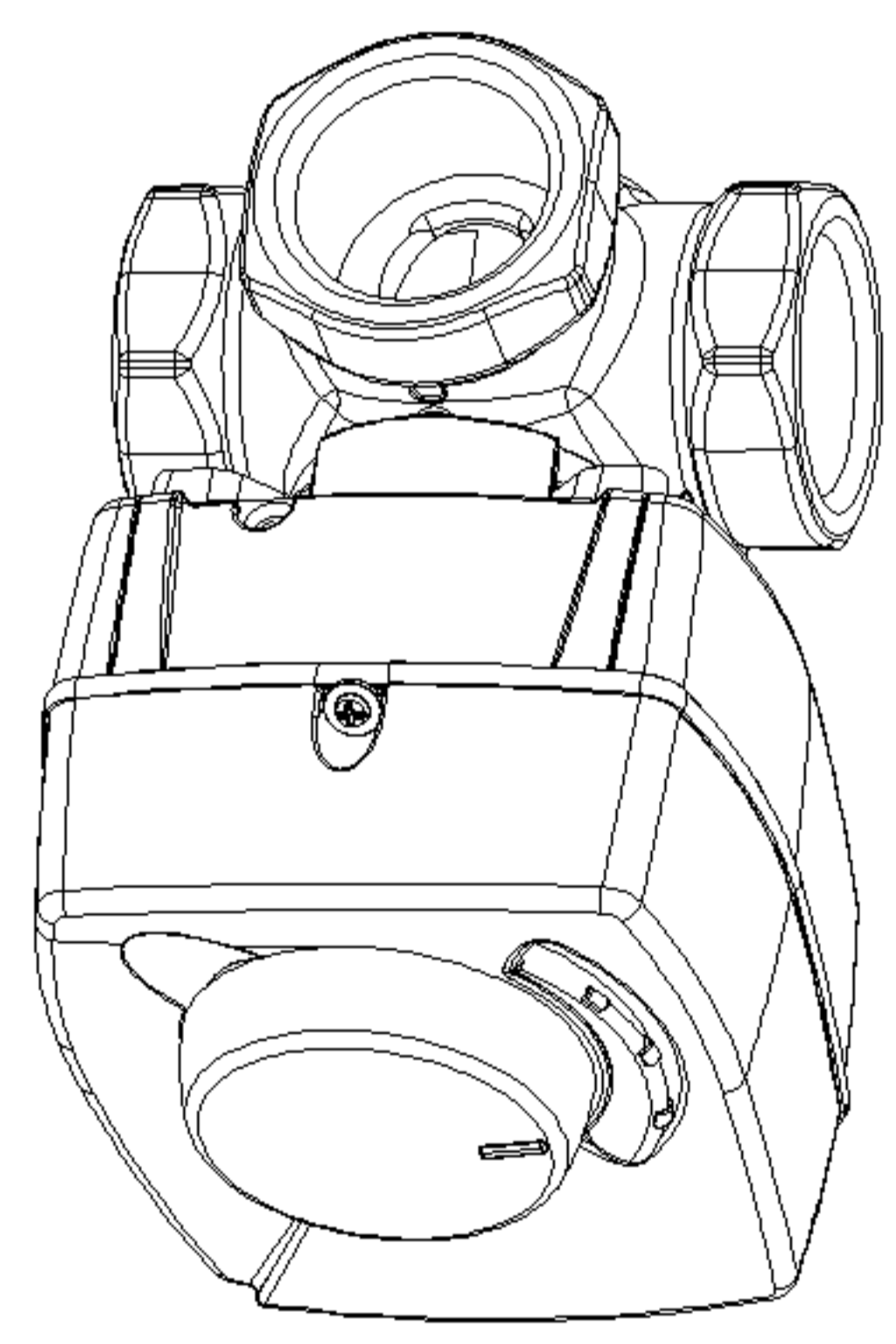
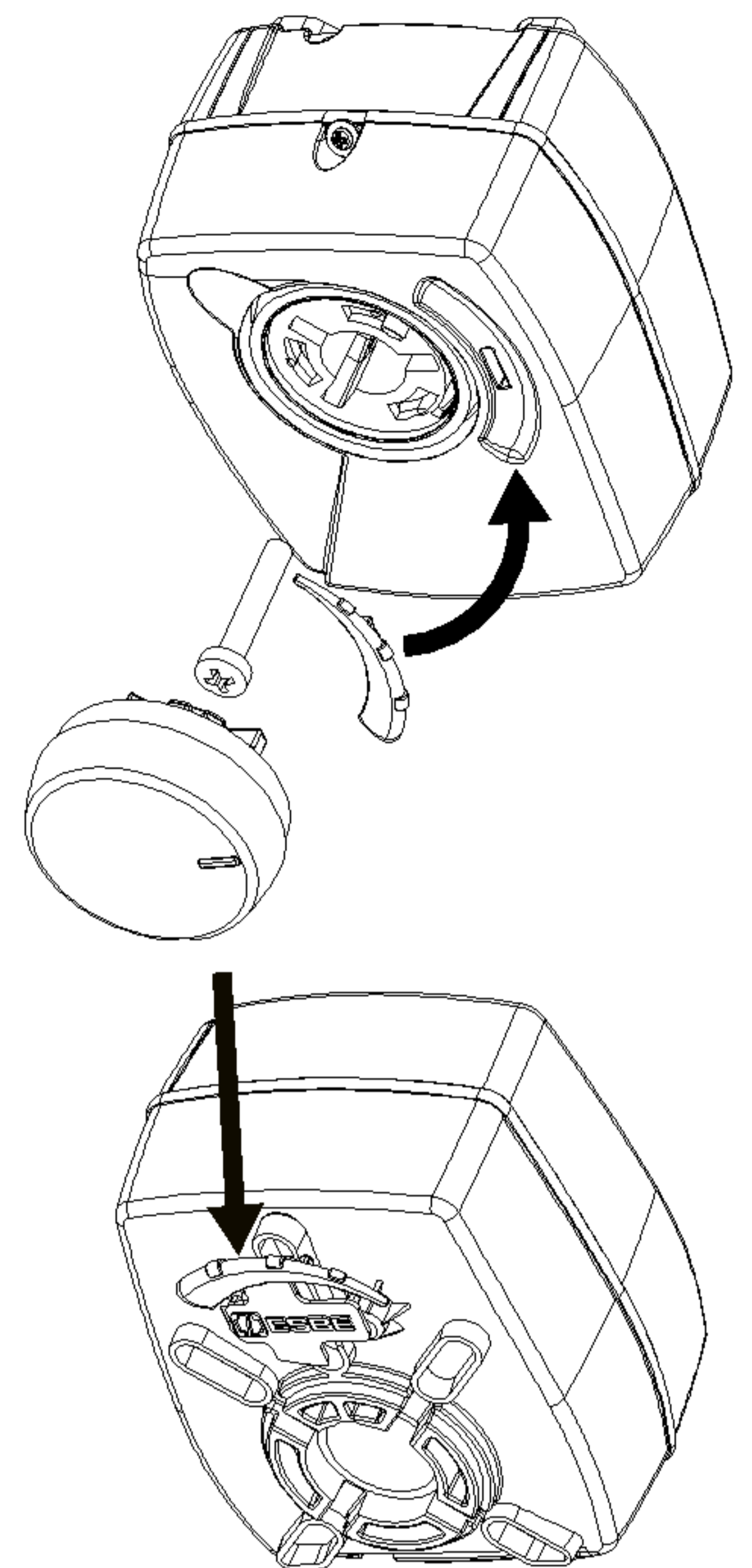
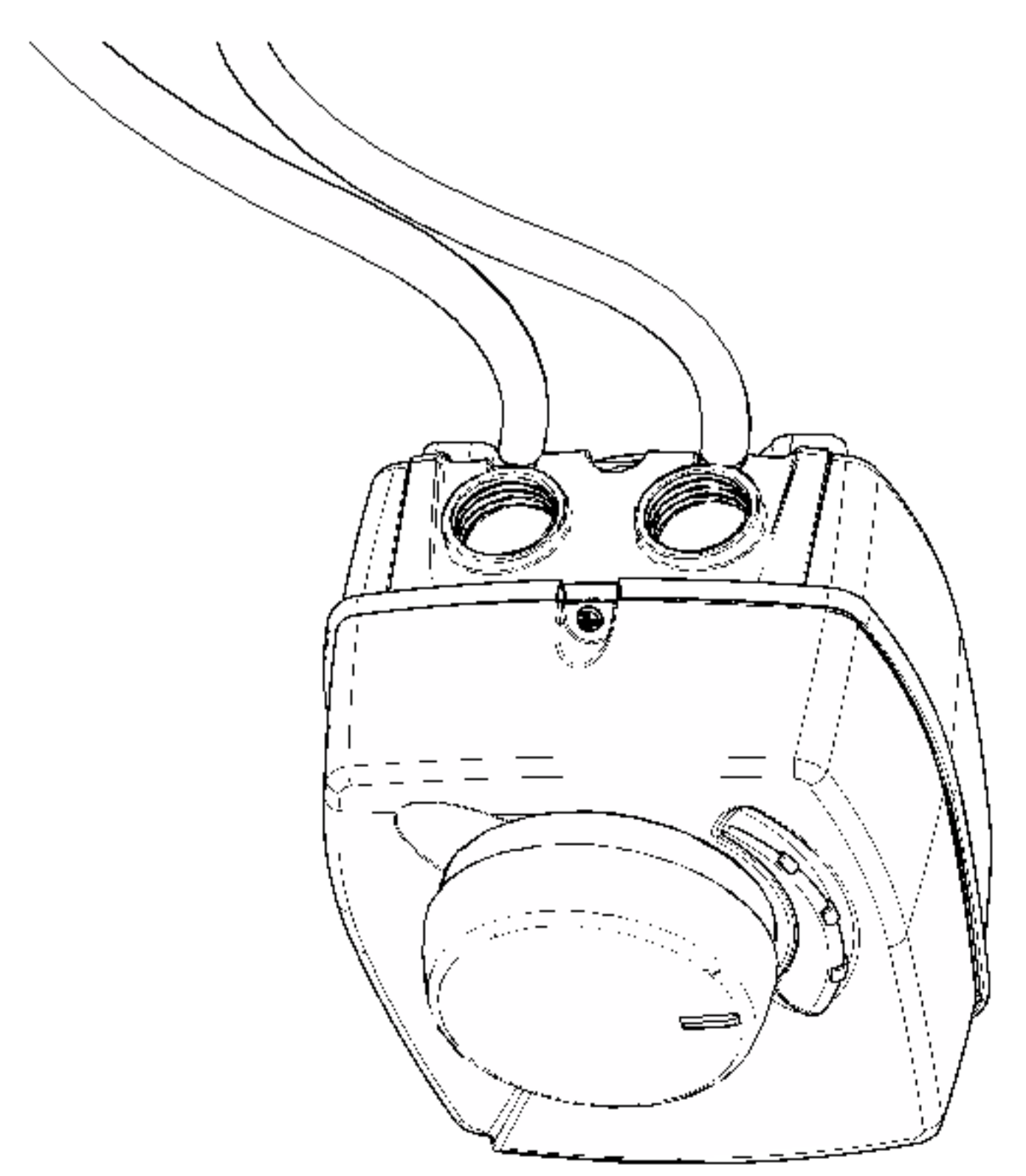
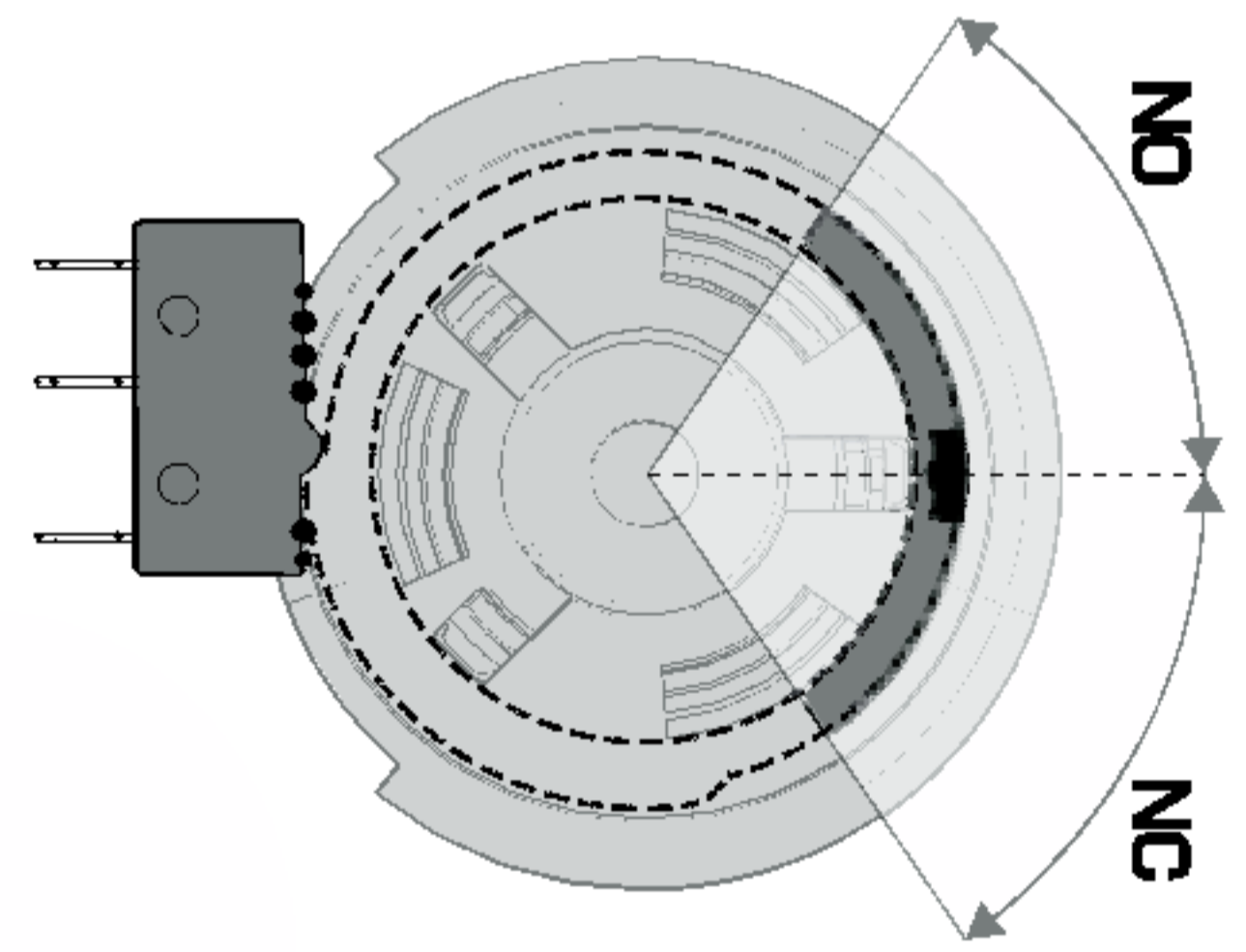
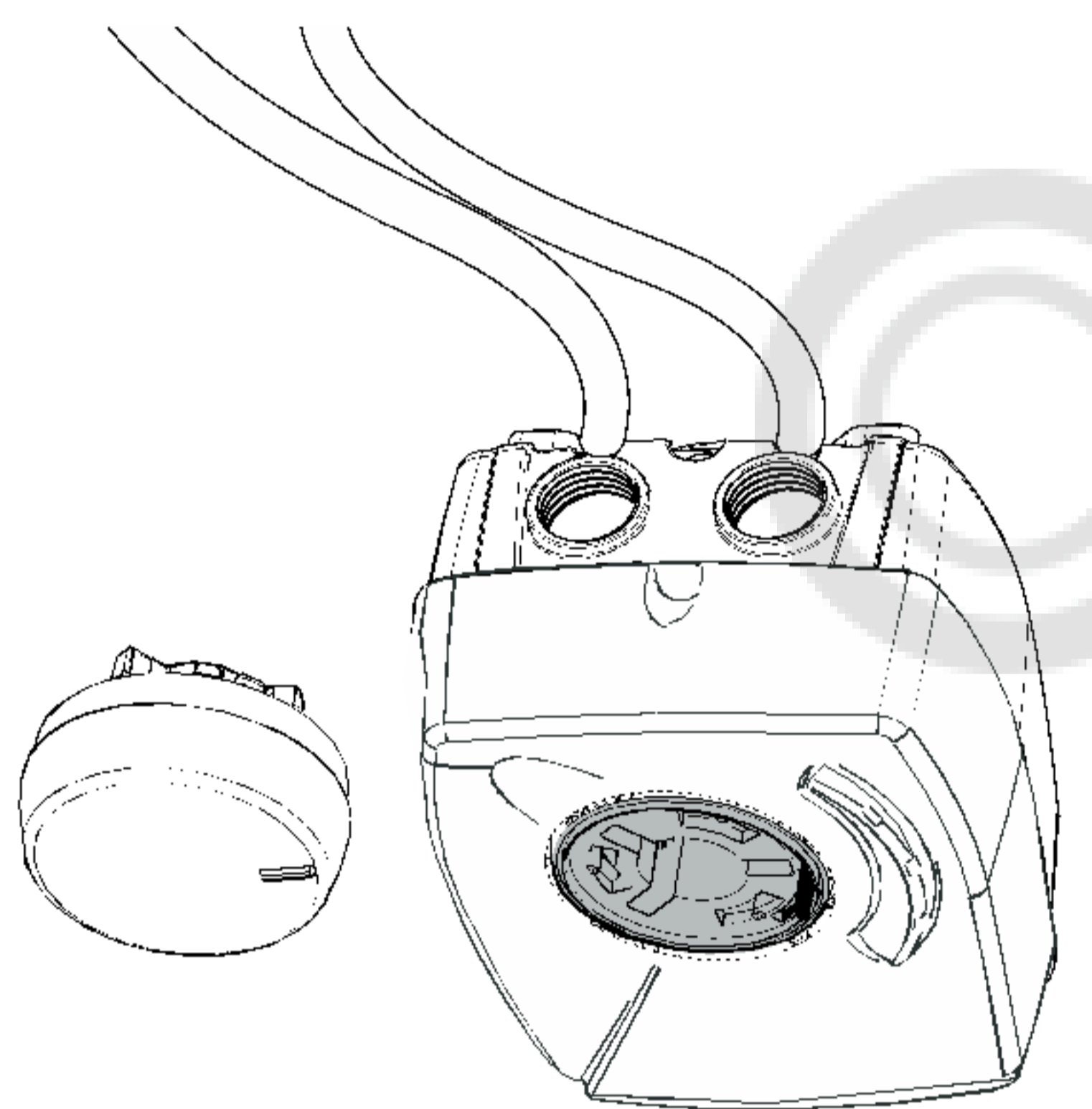
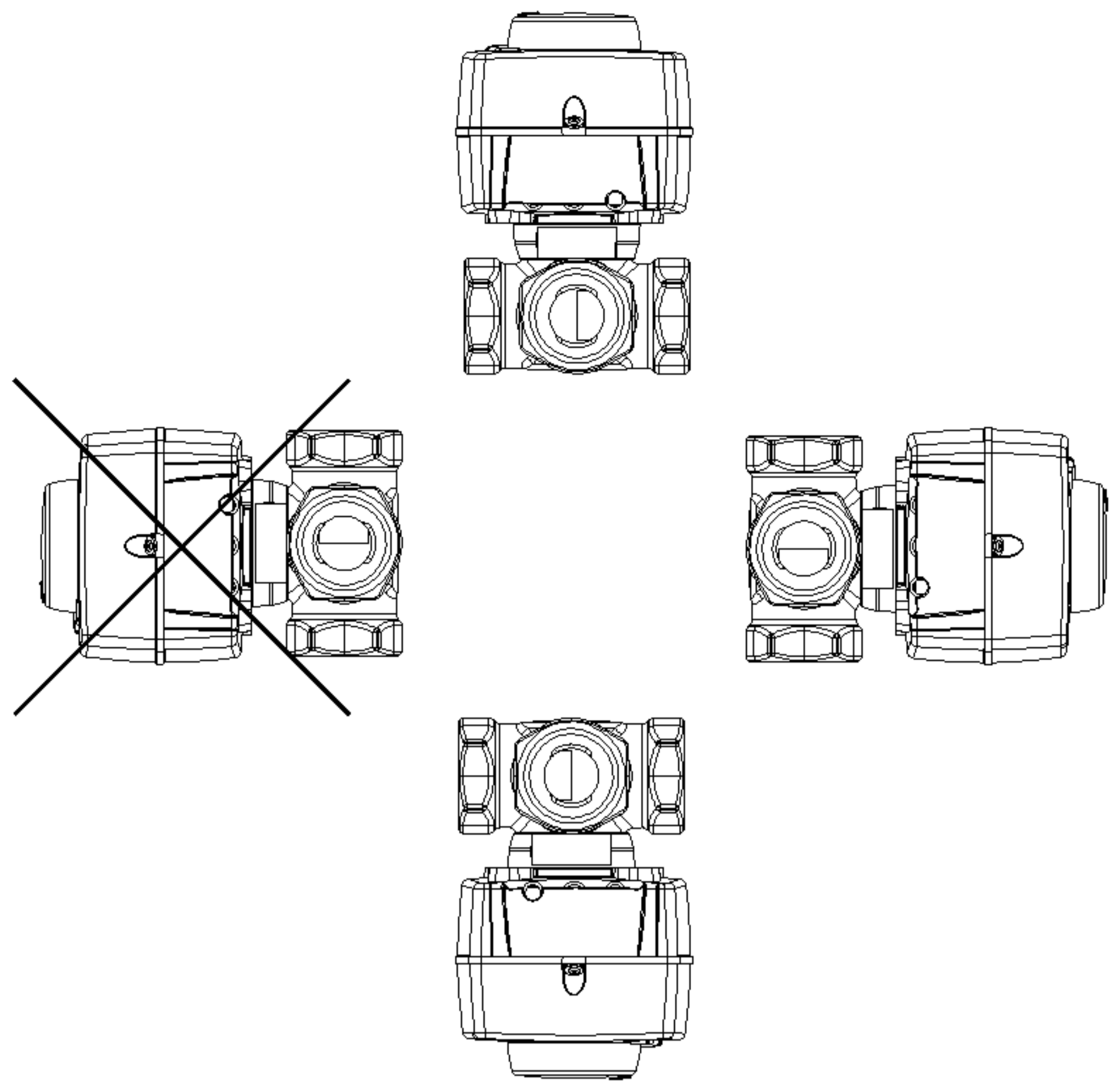


CE

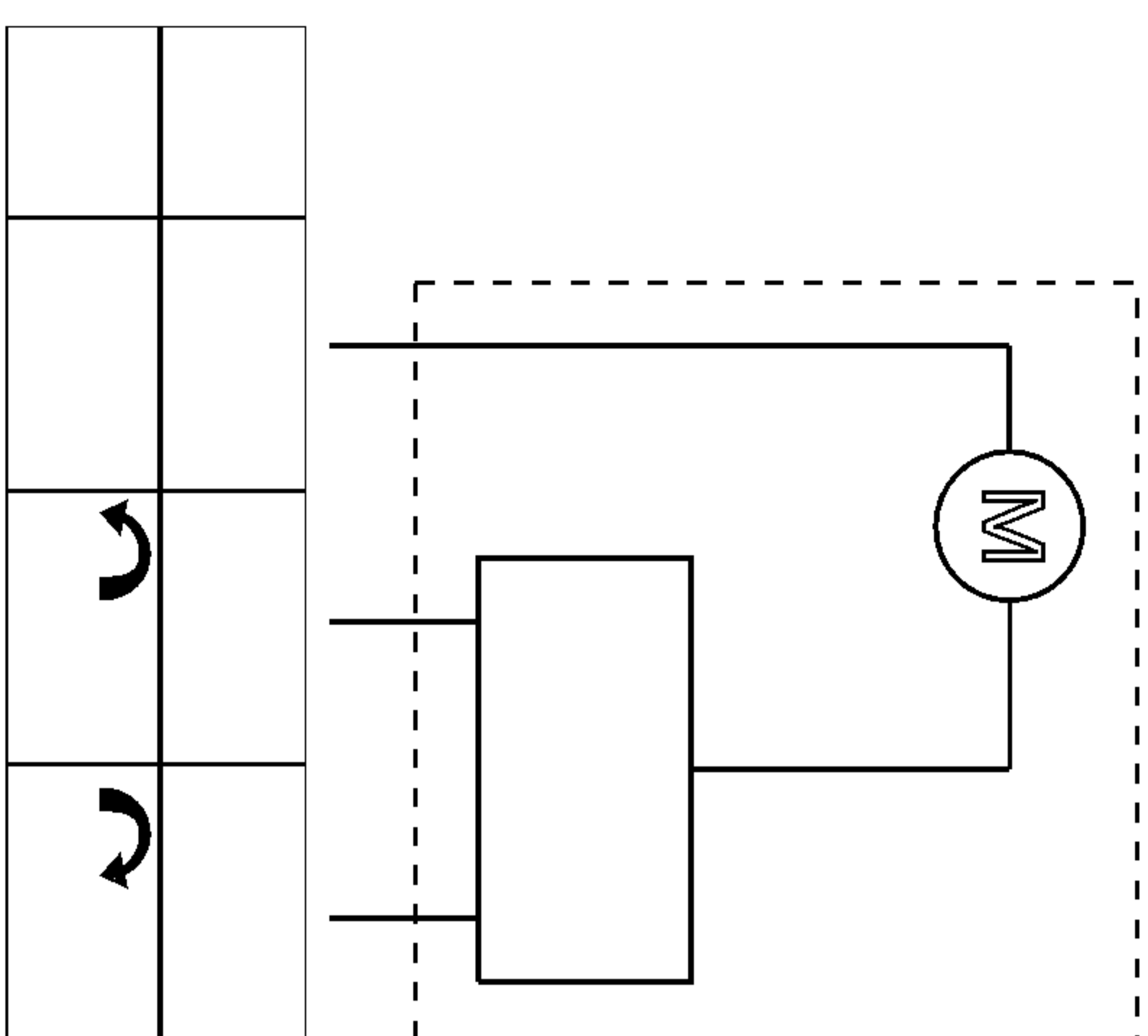
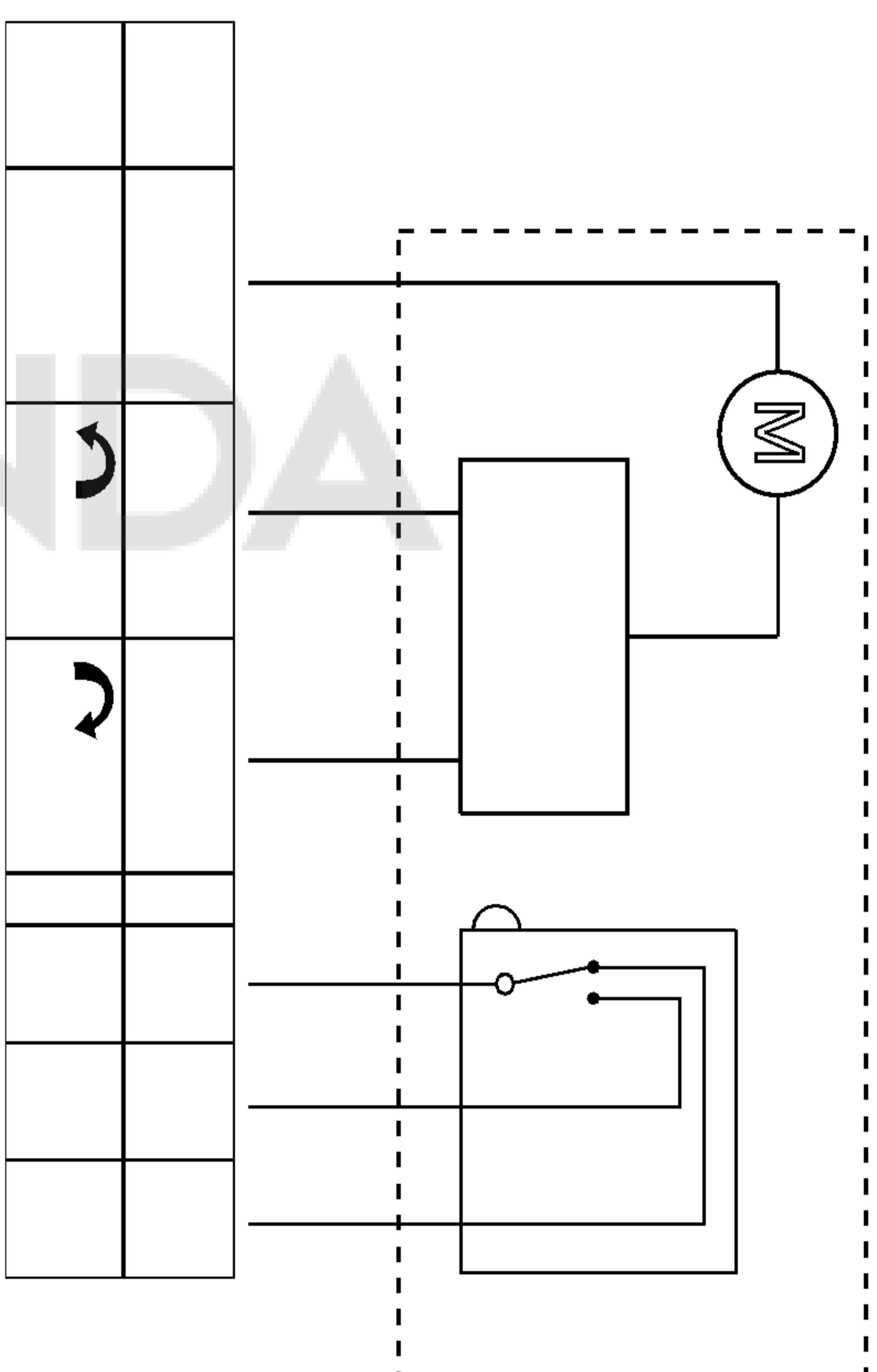
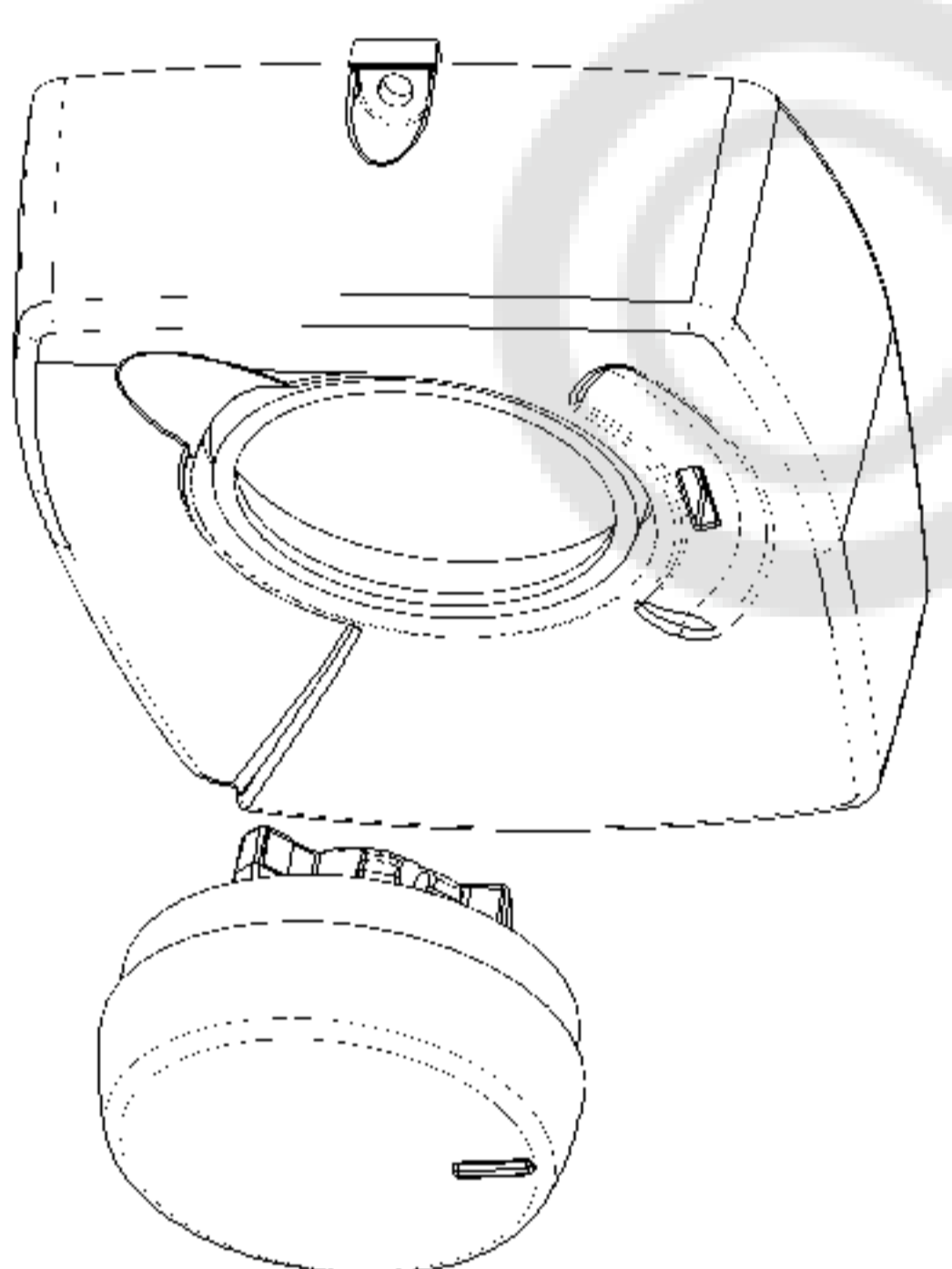
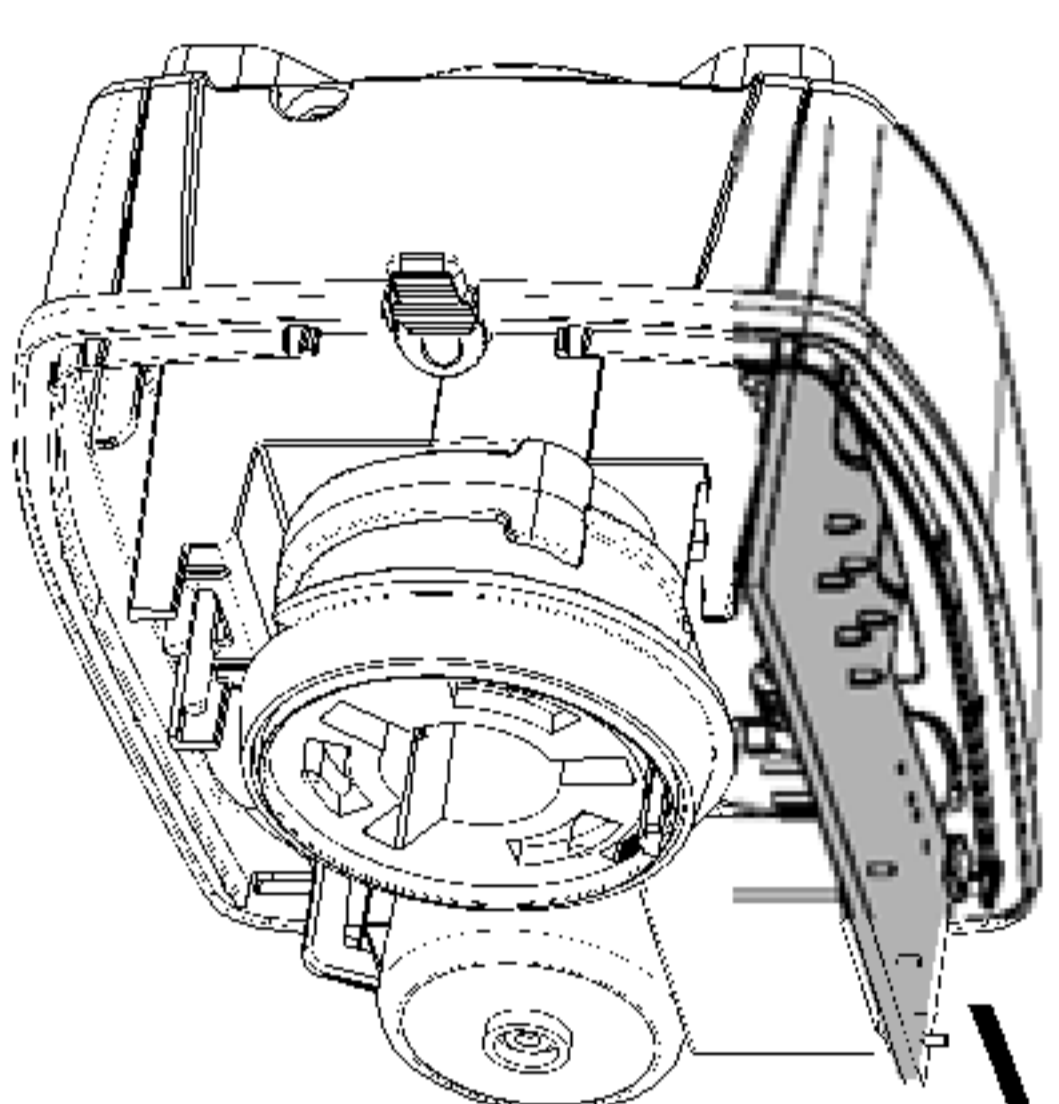
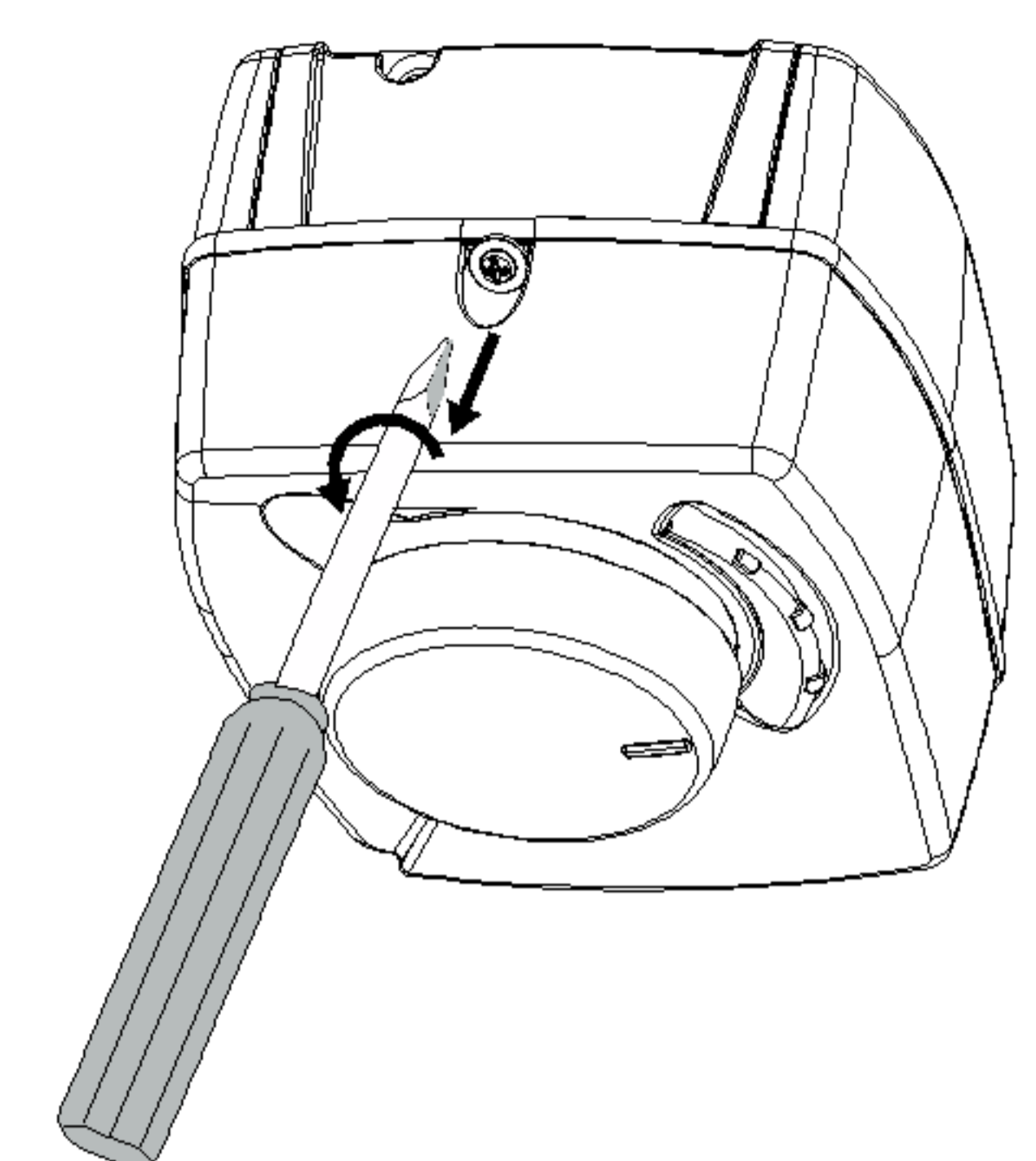
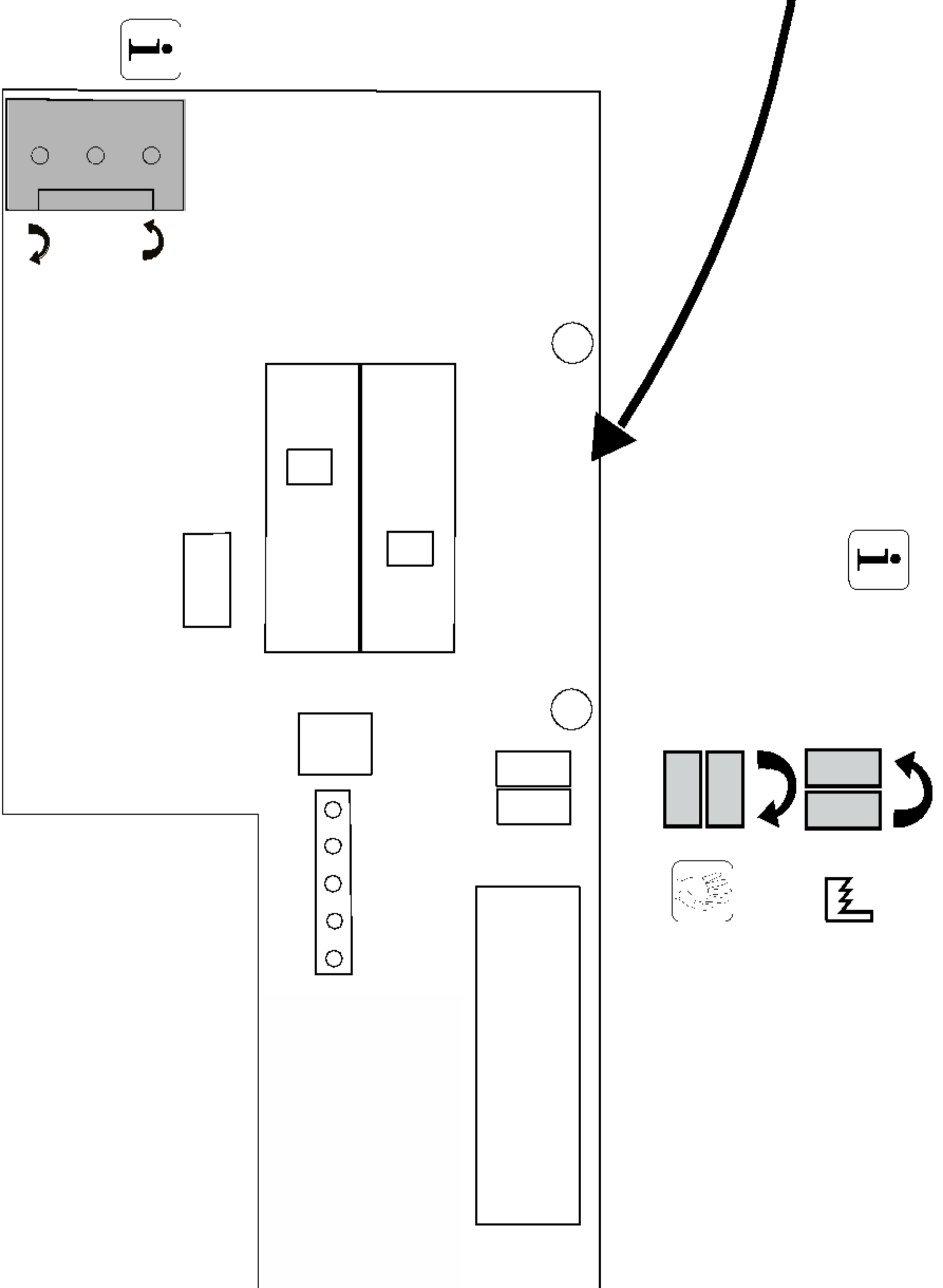


BIV, T, TI





LUNDA



© LUNDA